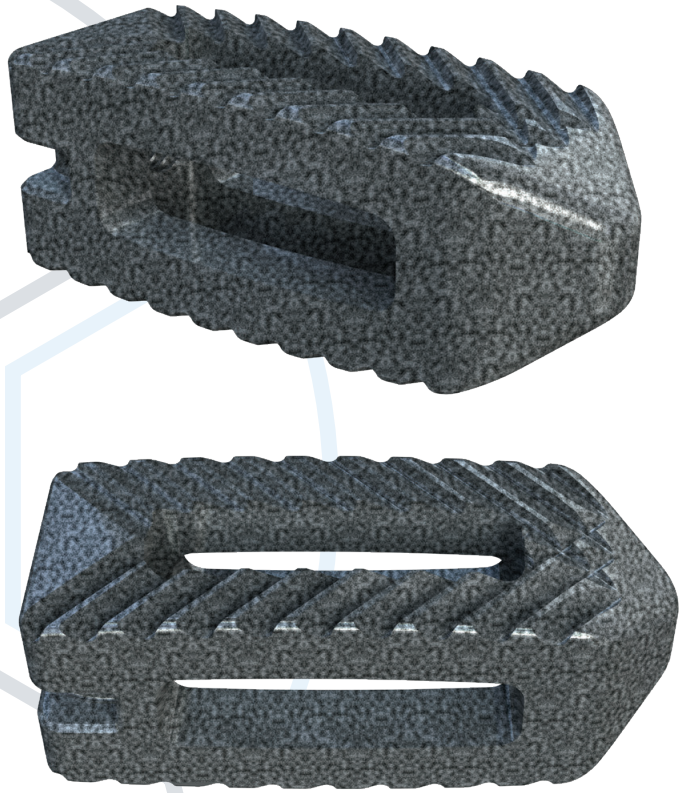


Features & Benefits

SAVANT™ Titanium

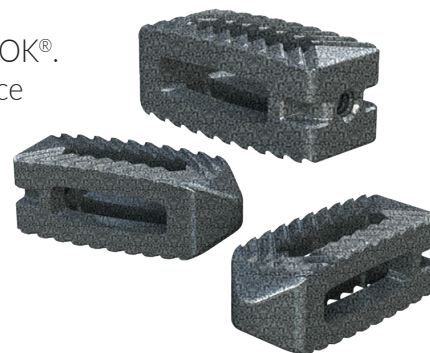
Posterior Lumbar Interbody Fusion System
Featuring TRU-LOK® Technology



SAVANT™ Titanium PLIF System

Featuring TRU-LOK® Technology

The Savant Titanium Posterior Lumbar Interbody Fusion System features TRU-LOK®. The TRU-LOK® surface technology results in a proprietary micro-textured surface intended to provide an improved osteogenic environment. The micro-scale roughness of the TRU-LOK® surface technology is intended to reduce the potential for implant migration and to encourage enhanced osseointegration. The interbody is offered in a variety of lengths, heights and lordotic angles offering an ideal fit for every patient.



System Features:

- Contoured, distracting nose to facilitate placement
- Oversized central and lateral graft windows for biologic seeding
- Micro-roughness surface texturing produces superior implant contact and construct stability
- Multi-directional teeth resist migration
- Designed to ensure a high degree of compressive strength and dimensional stability
- Open Architecture
- Comprehensive discectomy instruments

Titanium PLIF Interbodies with TRU-LOK® Technology

22mm Length, 10mm Width, 0°	
Height	Catalog Number
6mm	C314-221006-0
7mm	C314-221007-0
8mm	C314-221008-0
9mm	C314-221009-0
10mm	C314-221010-0
11mm	C314-221011-0
12mm	C314-221012-0
13mm	C314-221013-0
14mm	C314-221014-0
15mm	C314-221015-0
16mm	C314-221016-0

26mm Length, 10mm Width, 0°	
Height	Catalog Number
6mm	C314-261006-0
7mm	C314-261007-0
8mm	C314-261008-0
9mm	C314-261009-0
10mm	C314-261010-0
11mm	C314-261011-0
12mm	C314-261012-0
13mm	C314-261013-0
14mm	C314-261014-0
15mm	C314-261015-0
16mm	C314-261016-0

30mm Length, 10mm Width, 0°	
Height	Catalog Number
6mm	C314-301006-0
7mm	C314-301007-0
8mm	C314-301008-0
9mm	C314-301009-0
10mm	C314-301010-0
11mm	C314-301011-0
12mm	C314-301012-0
13mm	C314-301013-0
14mm	C314-301014-0
15mm	C314-301015-0
16mm	C314-301016-0

22mm Length, 10mm Width, 8°	
Height	Catalog Number
7mm	C314-221007-8
8mm	C314-221008-8
9mm	C314-221009-8
10mm	C314-221010-8
11mm	C314-221011-8
12mm	C314-221012-8
13mm	C314-221013-8
14mm	C314-221014-8
15mm	C314-221015-8
16mm	C314-221016-8

26mm Length, 10mm Width, 8°	
Height	Catalog Number
8mm	C314-261008-8
9mm	C314-261009-8
10mm	C314-261010-8
11mm	C314-261011-8
12mm	C314-261012-8
13mm	C314-261013-8
14mm	C314-261014-8
15mm	C314-261015-8
16mm	C314-261016-8

30mm Length, 10mm Width, 8°	
Height	Catalog Number
9mm	C314-301009-8
10mm	C314-301010-8
11mm	C314-301011-8
12mm	C314-301012-8
13mm	C314-301013-8
14mm	C314-301014-8
15mm	C314-301015-8
16mm	C314-301016-8



For more information or to place an order call: 877.9CURITEVA,
email: customersupport@curiteva.com or visit www.curiteva.com

Products patented and/or patent pending.
All products are not currently available in all markets.

Copyright©2020 by Curiteva, Inc.
QMSF-1148 Rev 1.0